

BLOCK DIAGRAM

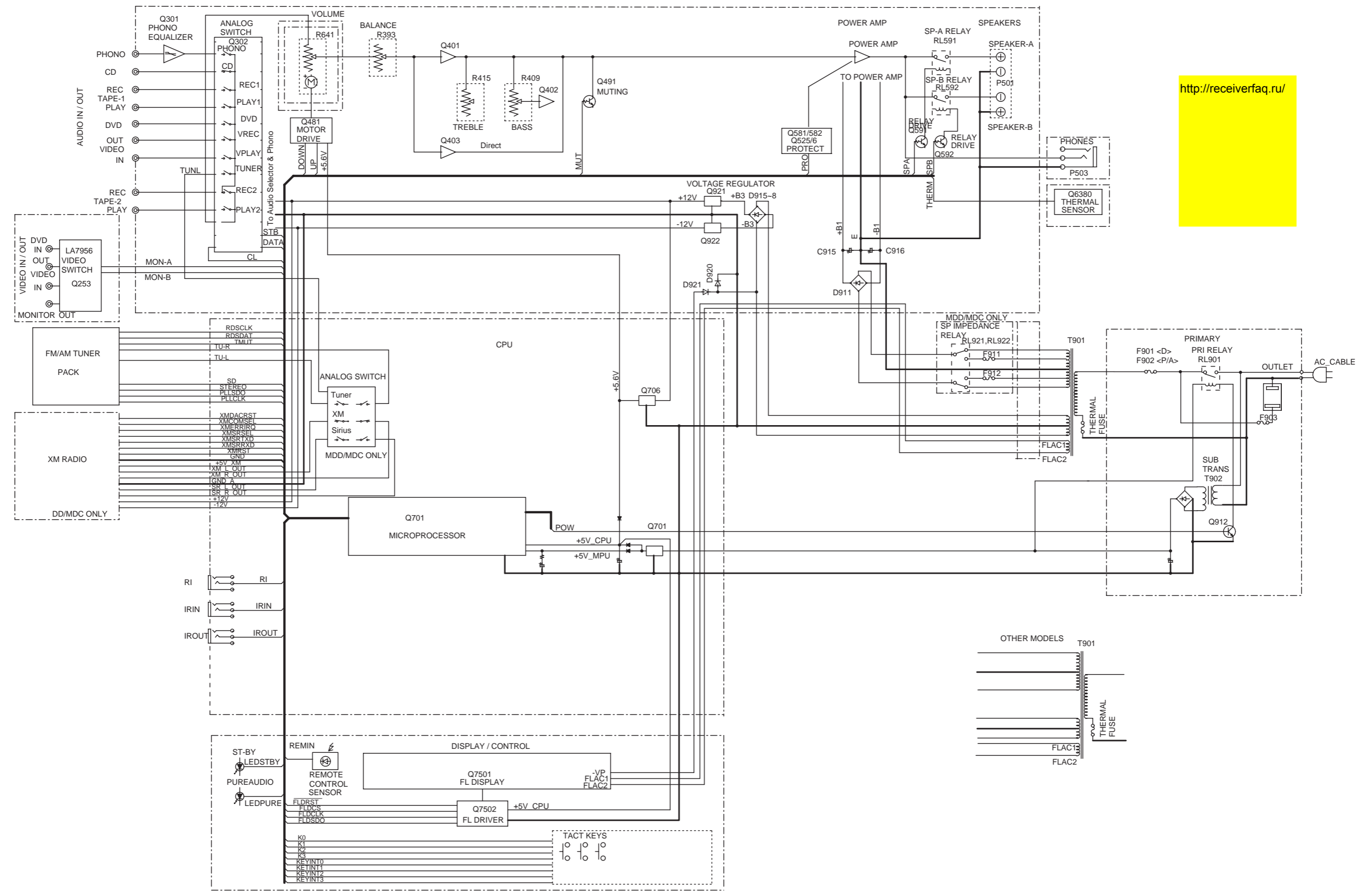
1

2

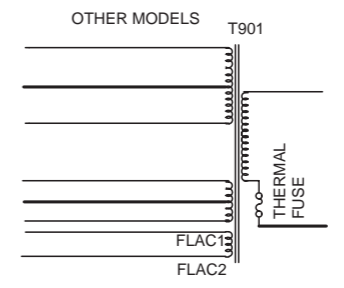
3

4

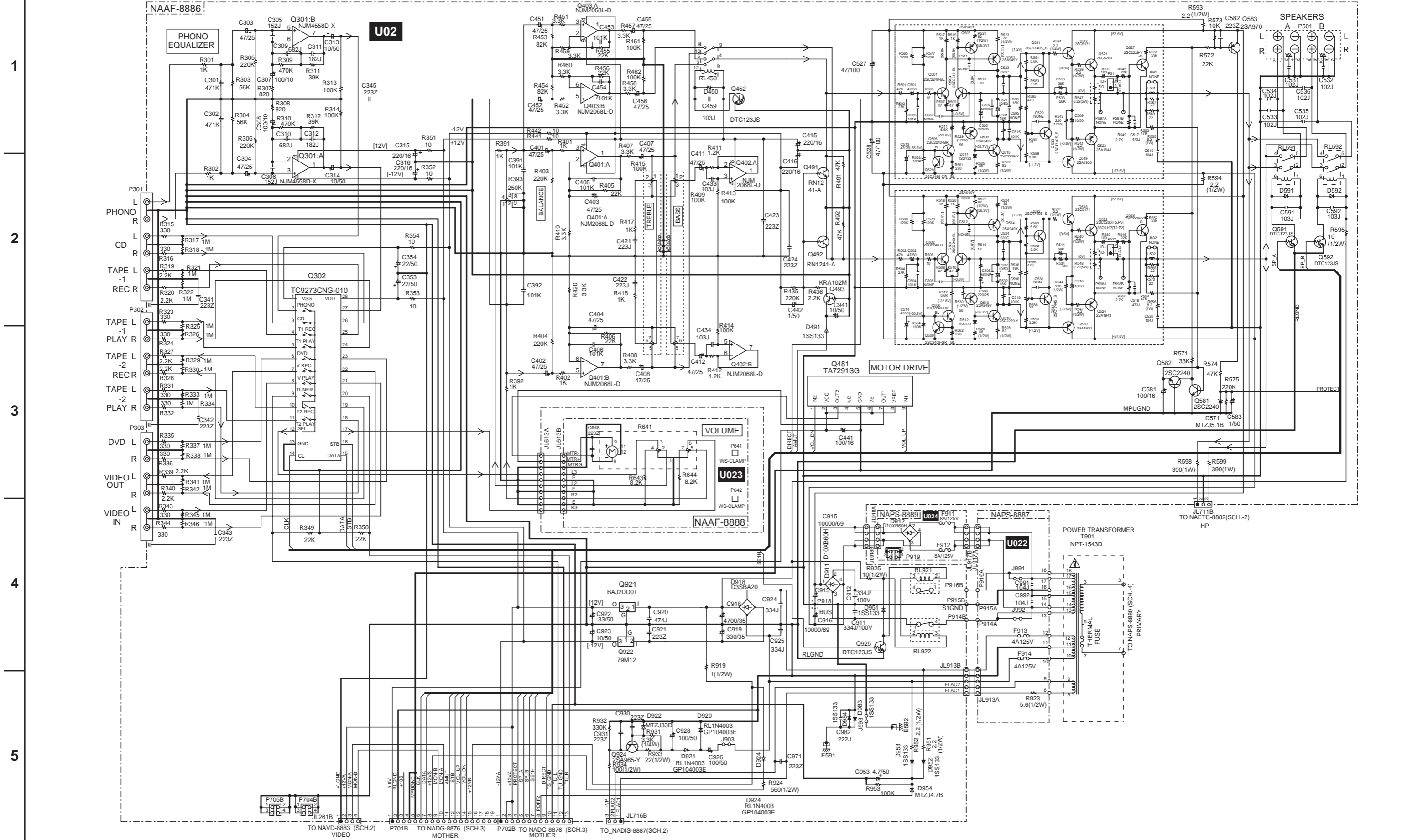
5



<http://receiverfaq.ru/>

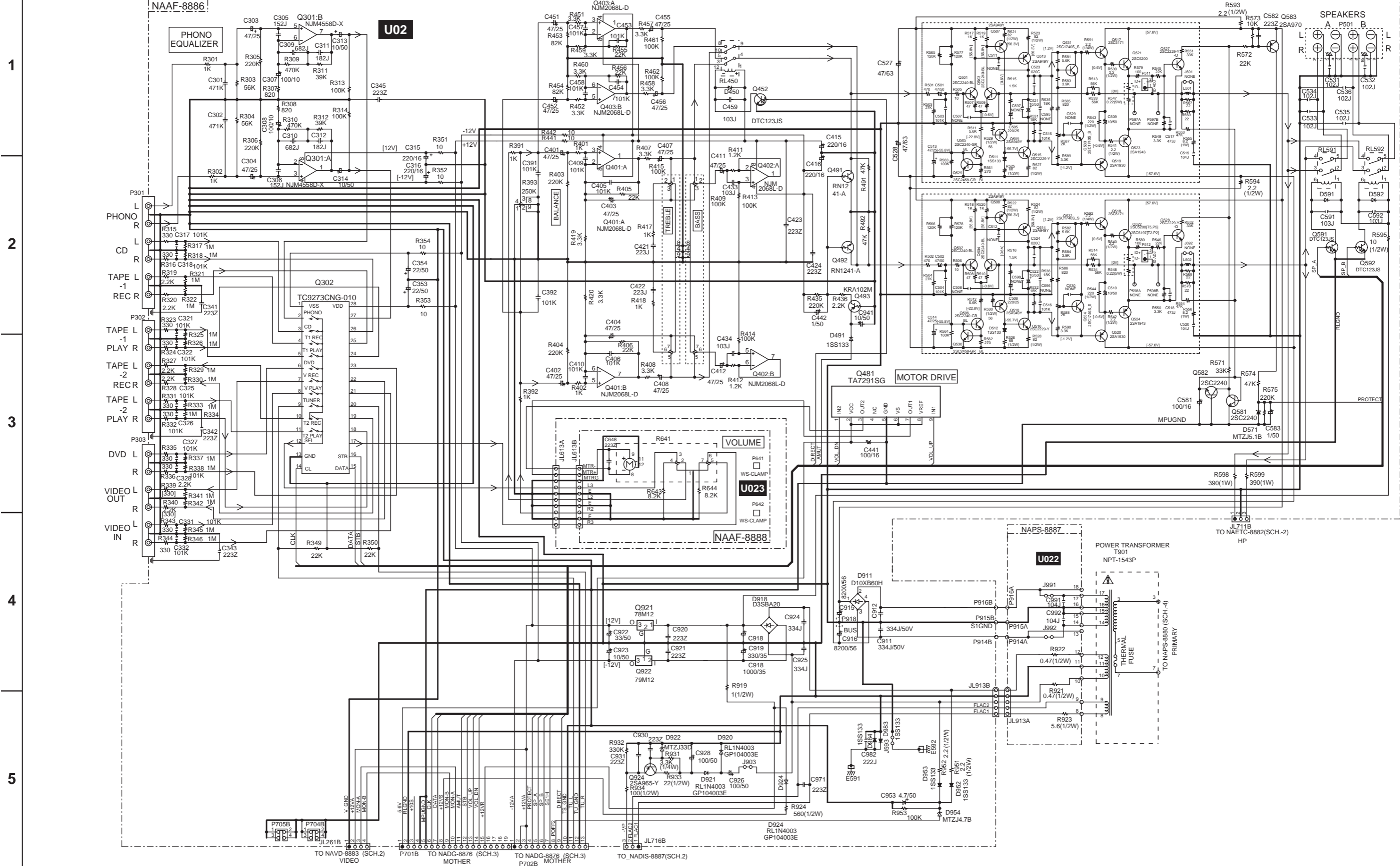


SCHEMATIC DIAGRAM 1 AUDIO SECTION(North American model)

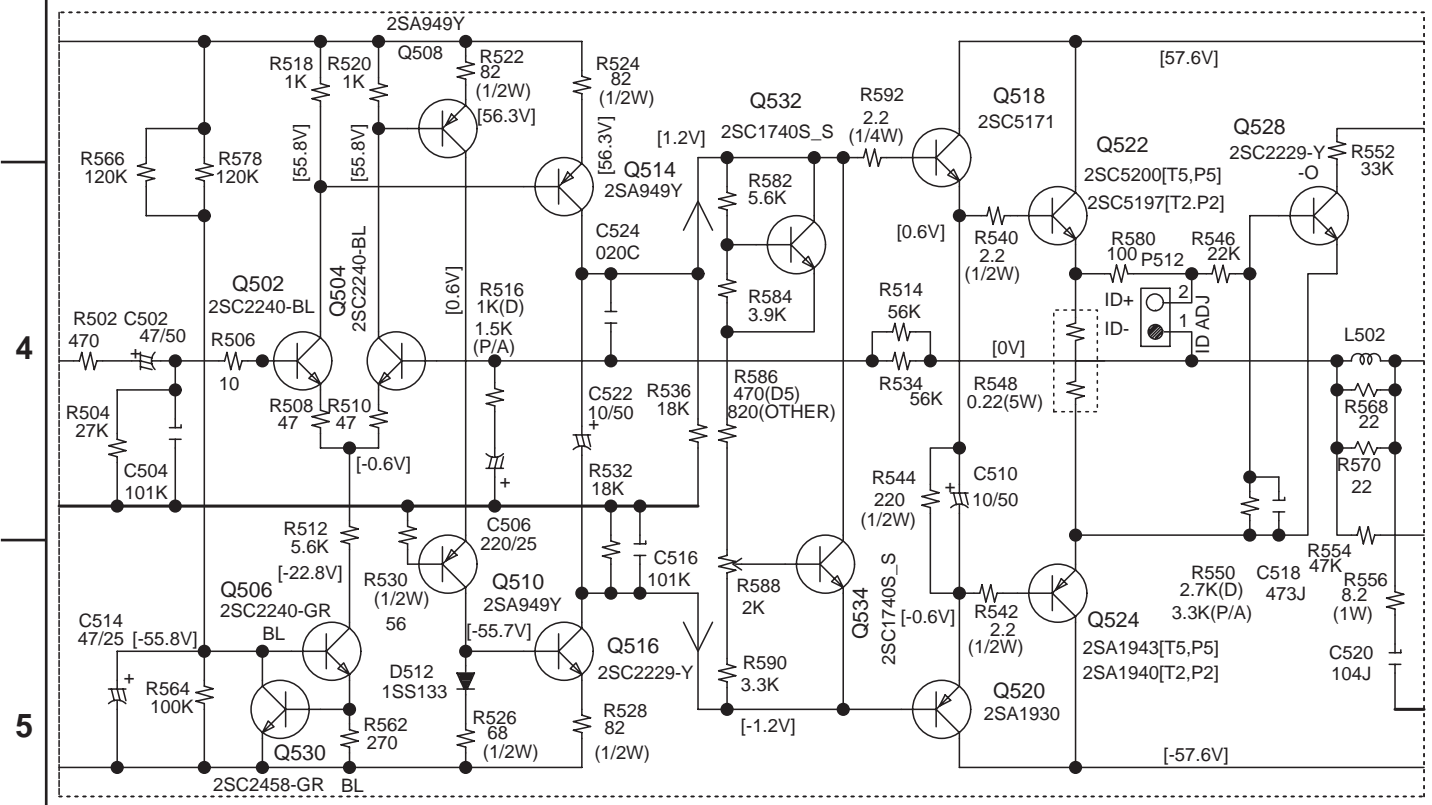
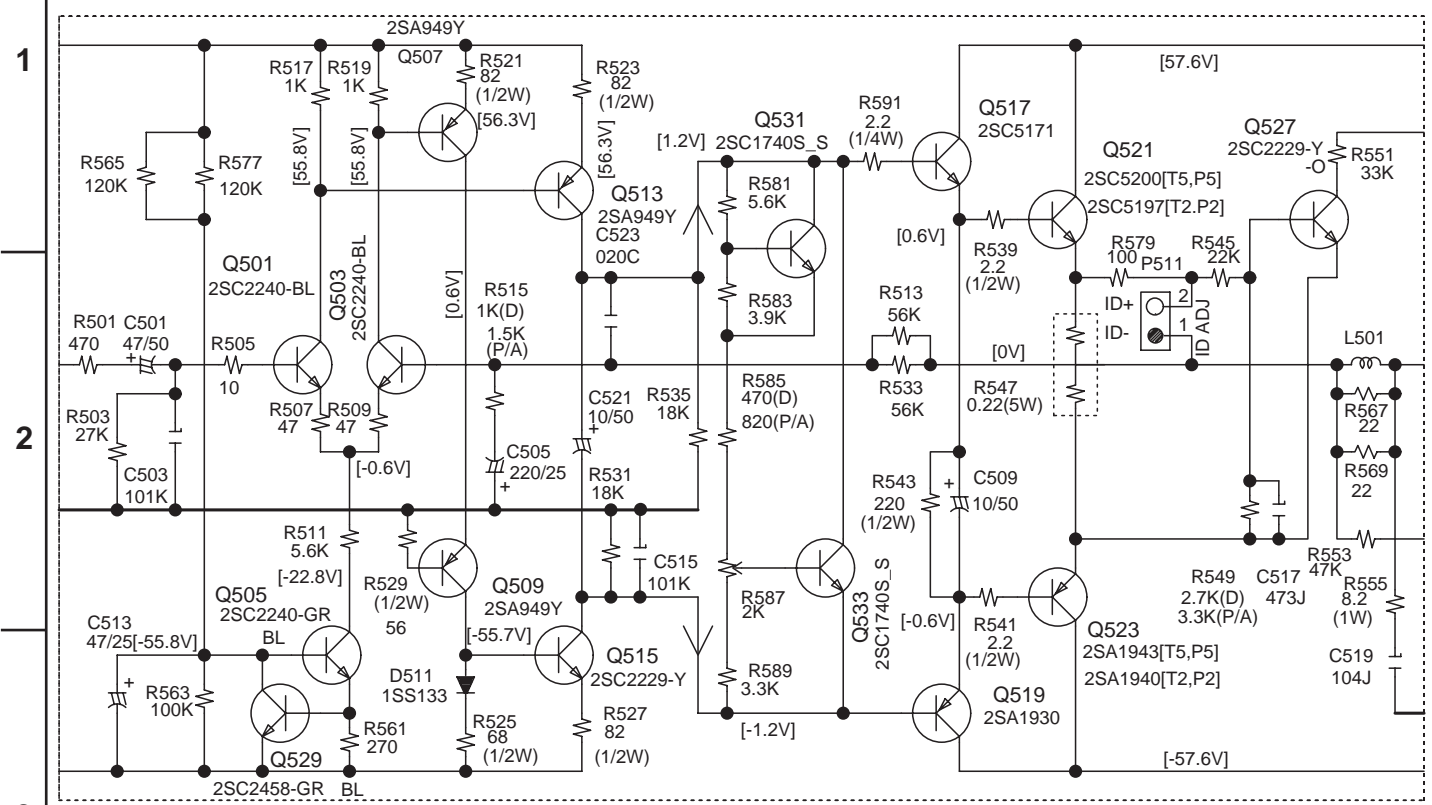


TO NAVD-8883 (SCH.2) VIDEO
 P701B TO NADG-8876 (SCH.3) MOTHER
 P702B TO NADG-8876 (SCH.3) MOTHER
 TO NADIS-8887(SCH.2)
 TO NAPT-8882(SCH.-2) HP
 TO NAPS-8880 (SCH.-4) PRIMARY

SCHEMATIC DIAGRAM 1 AUDIO SECTION (Europe and Australian models)

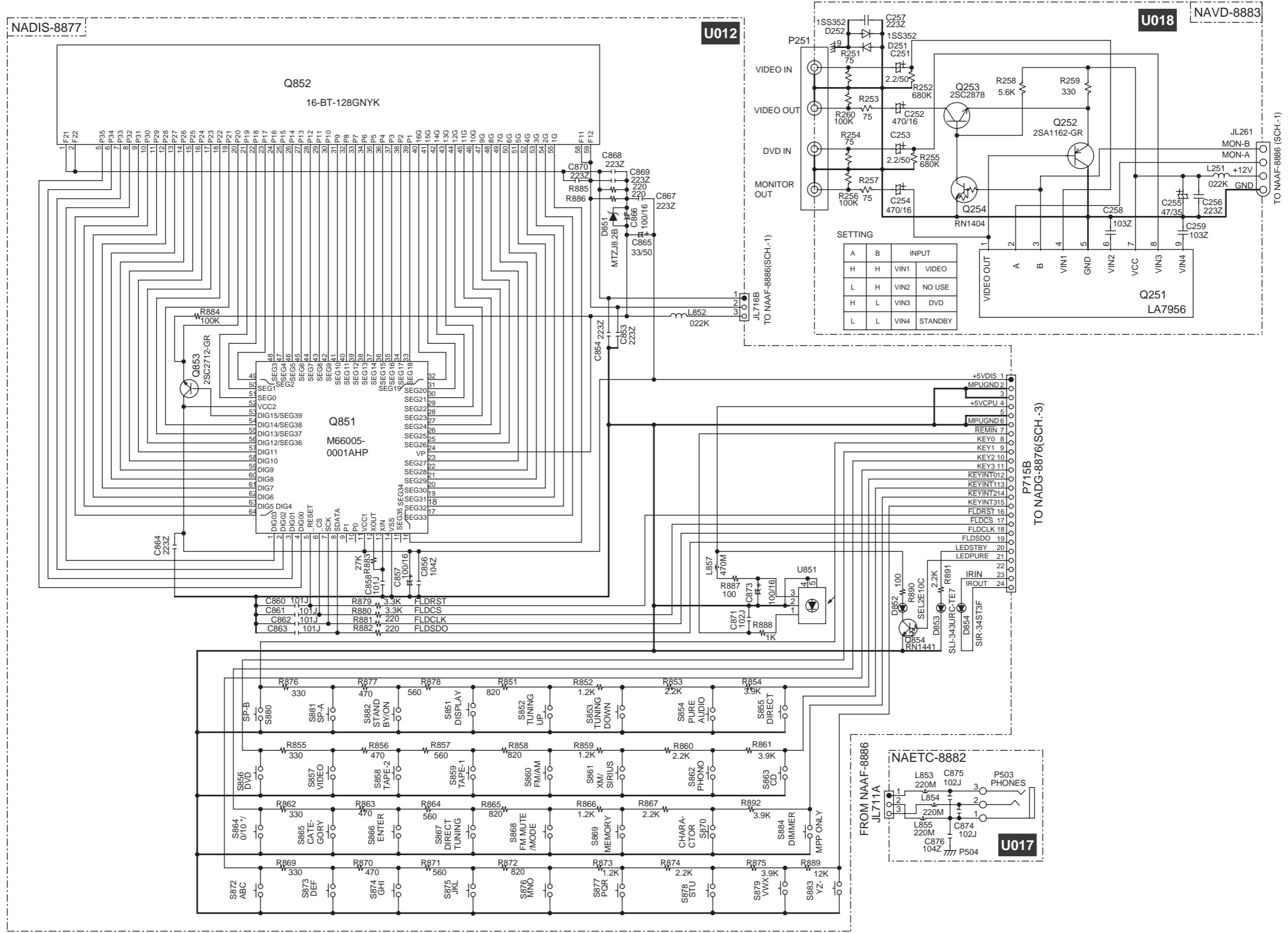


SCHEMATIC DIAGRAM 1-2
Power amplifier section

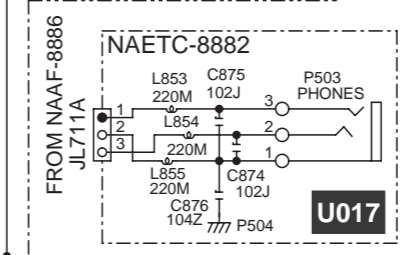
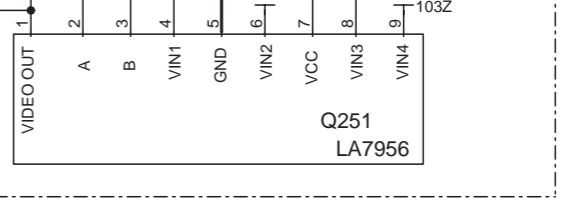


SCHEMATIC DIAGRAM 2 DISPLAY SECTION

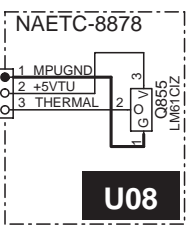
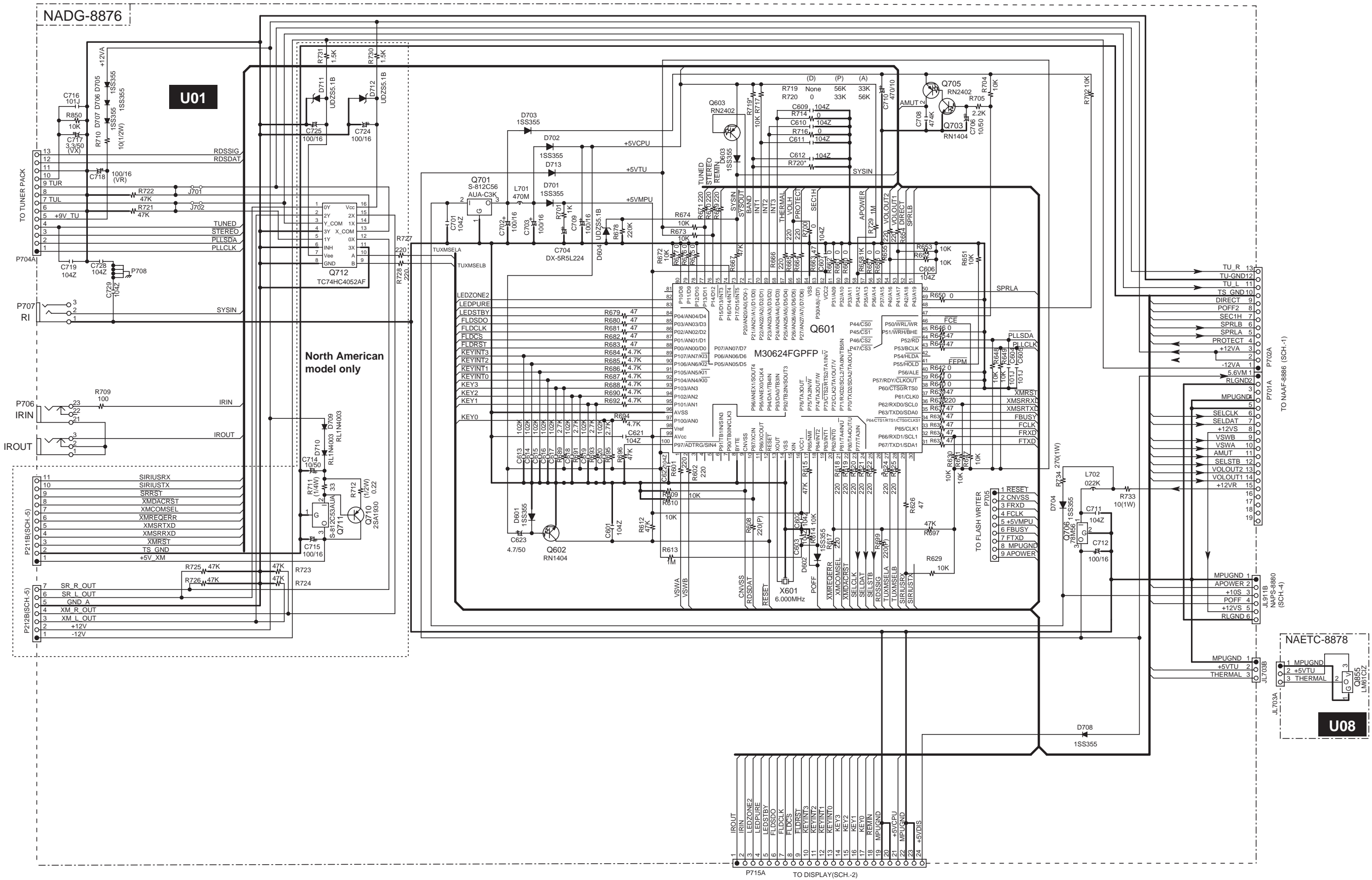
1
2
3
4
5



A	B	INPUT
H	H	VIN1 VIDEO
L	H	VIN2 NO USE
H	L	VIN3 DVD
L	L	VIN4 STANDBY



SCHEMATIC DIAGRAM 3 MICROPROCESSOR SECTION



P715A TO DISPLAY(SCH-2)

**SCHEMATIC DIAGRAM 4
POWER SUPPLY SECTION**

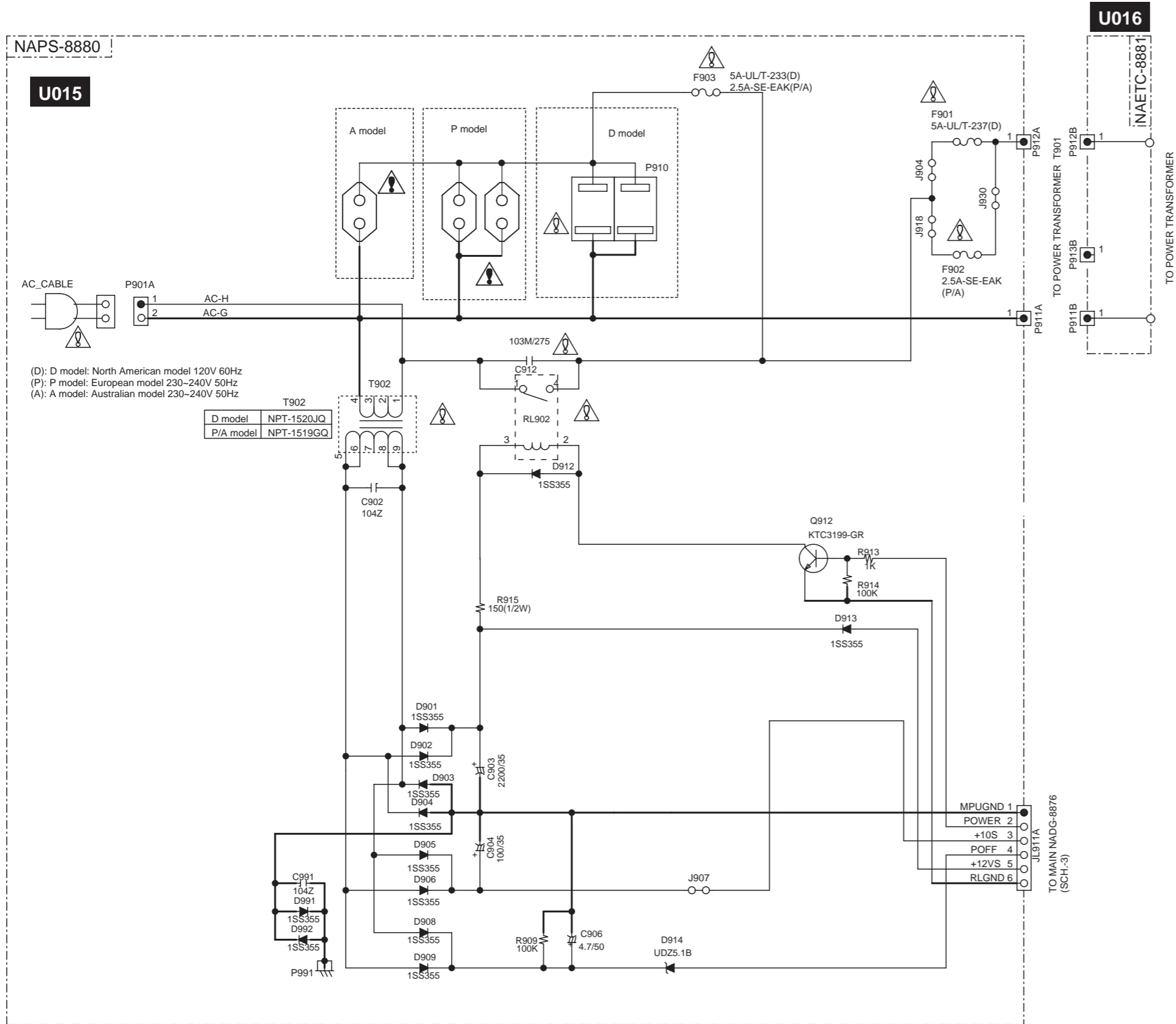
1

2

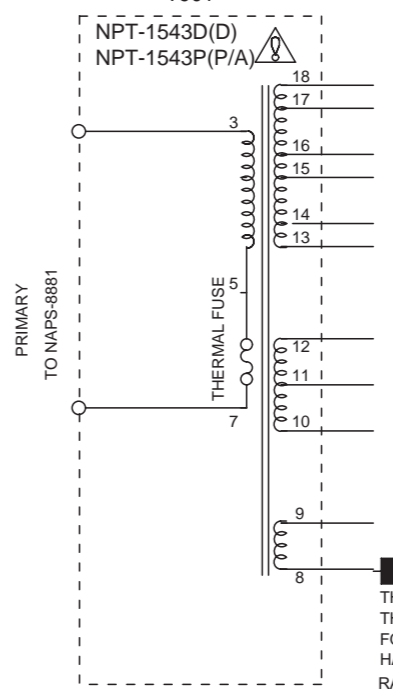
3

4

5



**POWER TRANSFORMER
T901**



CAUTION
FOR CONTINUED PROTECTION AGAINST FIRE HAZARD, REPLACE ONLY WITH FUSE OF SAME TYPE AND RATING INDICATED.

ATTENTION
AFIN D'ASSURER UNE PROTECTION PERMANENTE CONTRE LES RISQUES D'INCENDIE, REMPLACER UNIQUEMENT PAR UN FUSIBLE DE MEME TYPE ET CALIBRATION COMME INDIQUE.

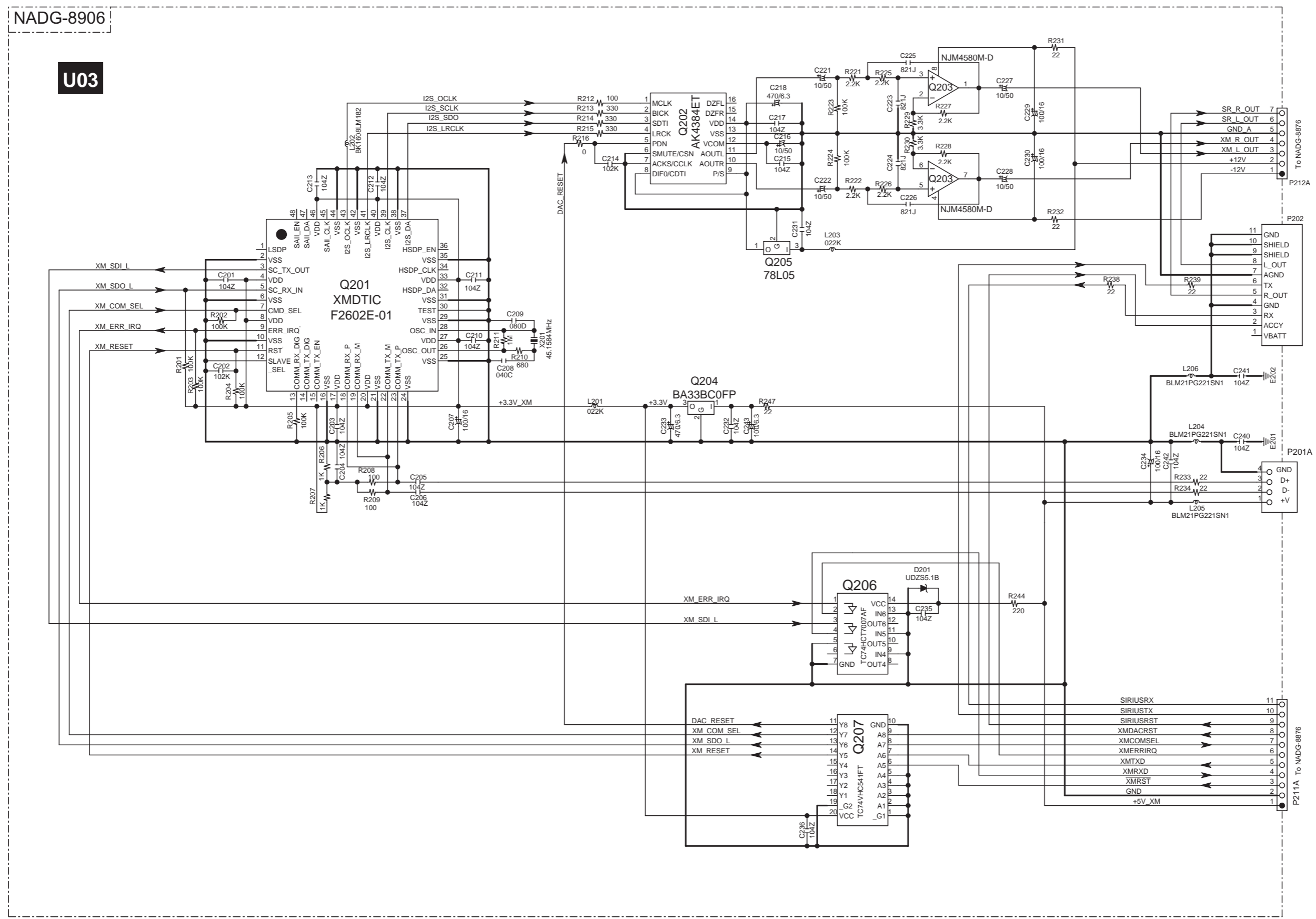
THIS SYMBOL LOCATED NEAR THE FUSE INDICATES THAT THE FUSE USED IS SLOW OPERATING TYPE FOR CONTINUED PROTECTION AGAINST FIRE HAZARD, REPLACE WITH SAME TYPE FUSE. FOR FUSE RATING REFER TO THE MARKING ADJACENT TO THE SYMBOL

CE SYMBOLE INDIQUE QUE LE FUSIBLE UTILISE EST E LENT. POUR UNE PROTECTION PERMANENTE, N'UTILISER QUE DES FUSIBLES DE MEME TYPE. CE DARNIER EST INDIQUE LA QU LE PRESENT SYMBOLE EST APPOSE.

- NOTE**
- THE COMPONENTS IDENTIFIED BY MARK ARE CRITICAL FOR SAFETY. REPLACE ONLY WITH PART NUMBER SPECIFIED.
 - VOLTAGE (MEASURED WITH VOLTMETER) IS DC VOLTAGE. (NO INPUT SIGNAL)
 - ELECTROLYTIC CAPACITORS () ARE IN μ F/WV.
 - ALL CAPACITORS ARE IN pF/50WV UNLESS OTHERWISE NOTED.
EX) 030x3pF 330x33pF 331x330pF 333x0.033uF
 - ALL RESISTORS ARE IN OHMS 1/4WATTS UNLESS OTHERWISE NOTED.
 - THE THICK LINES ON PC BOARD ARE THE PRINTING SIDE OF THE PARTS.
EX) PRINTING SIDE
 - CIRCUIT IS SUBJECT TO CHANGE FOR IMPROVEMENT.

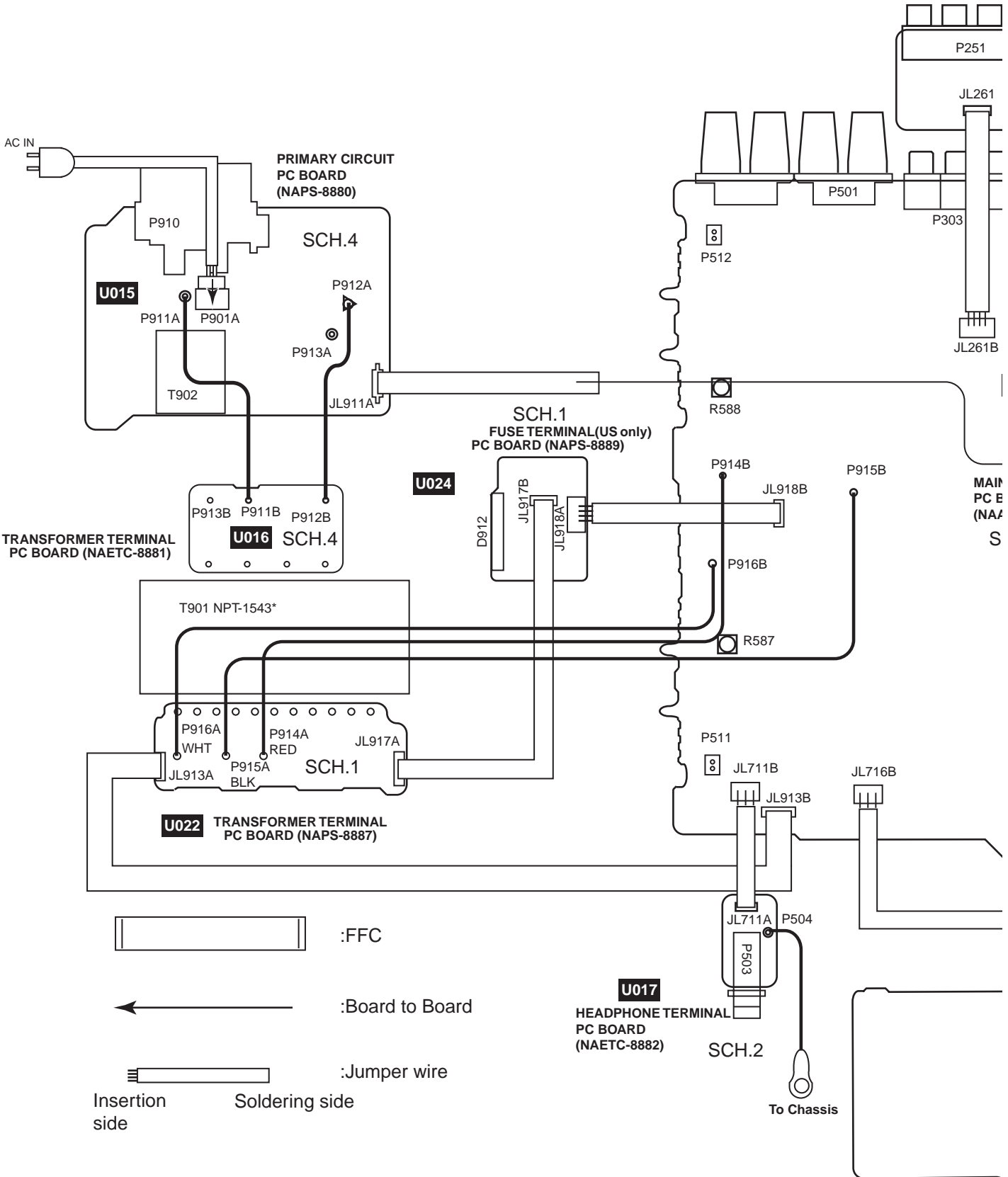
SCHEMATIC DIAGRAM 5 XM RADIO SECTION(North American models only)

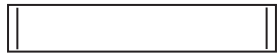

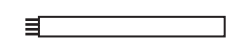
1
2
3
4
5



WIRING VIEW

1
2
3
4
5



-  :FFC
-  :Board to Board
-  :Jumper wire
- Insertion side Soldering side

MAIN
PC BOARD
(NAETC-8881)

